

# ELKAY® SPECIFICATIONS

## EZH20™ – Retro Kit Bottle Filling Station Model LZWSRK

### PRODUCT FEATURES

- Retro Kit attaches to most 115V/60Hz EZ pushbar activated water coolers to create a bottle filling station
- Space saving ADA-compliant design
- Sanitary, no-touch, sensor activation with automatic 30-second shut-off timer
- WaterSentry® Plus filtration system
- Silver Ion anti-microbial protection
- Quick fill rate (approx. 1.1\* gals per min.)
- Laminar flow provides minimal splash
- Real drain system eliminates standing water
- Visual user interface display includes:
  - Filter Monitor indicating when replacement is necessary
  - Green Ticker counting the quantity of 16 oz. bottles saved from the landfill
- Constructed of durable 18 gauge stainless steel and ABS plastic

Model LZWSRK is a retro-fit bottle filling station designed for use with most existing 115V/60Hz pushbar-activated EZ cooler installations. Shall be constructed of 18 gauge Type 300 series stainless steel and ABS plastic. Shall include an electronic sensor for no-touch activation with an automatic 30-second shut-off timer. Shall provide 1.1\* gpm flow rate with laminar flow to minimize splashing. Shall include antimicrobial protected plastic components to prevent mold and mildew. Shall include the WaterSentry® Plus filter with visual monitor to indicate when replacement is necessary. Bottle Filling unit shall meet ADA guidelines for parallel approach. Unit shall be lead-free design which meets Safe Drinking Water Act and is certified to NSF/ANSI 61 and California AB1953. Unit shall be listed by Underwriters Laboratories to both U.S. and Canadian requirements.

### SUGGESTED SPECIFICATION

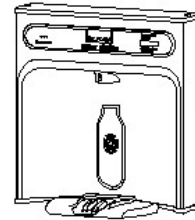
\*Fill rate may vary slightly depending on existing refrigeration systems in the field

2222 Camden Court Phone: 630-572-3192  
Oak Brook, IL 60523 Web: Elkayusa.com

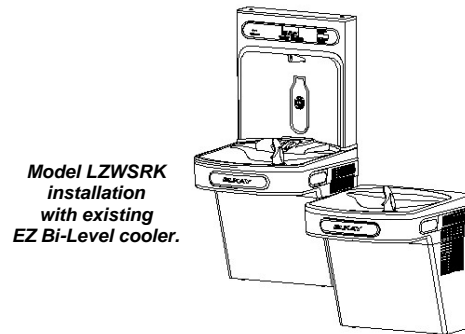


Testing currently in process for certification to UL and NSF/ANSI

### IMAGES



Model LZWSRK



Model LZWSRK  
installation  
with existing  
EZ Bi-Level cooler.

- 51300C Replacement filter

### OPTIONAL ACCESSORIES

Ideal for use with existing EZ style cooler installations such as in:

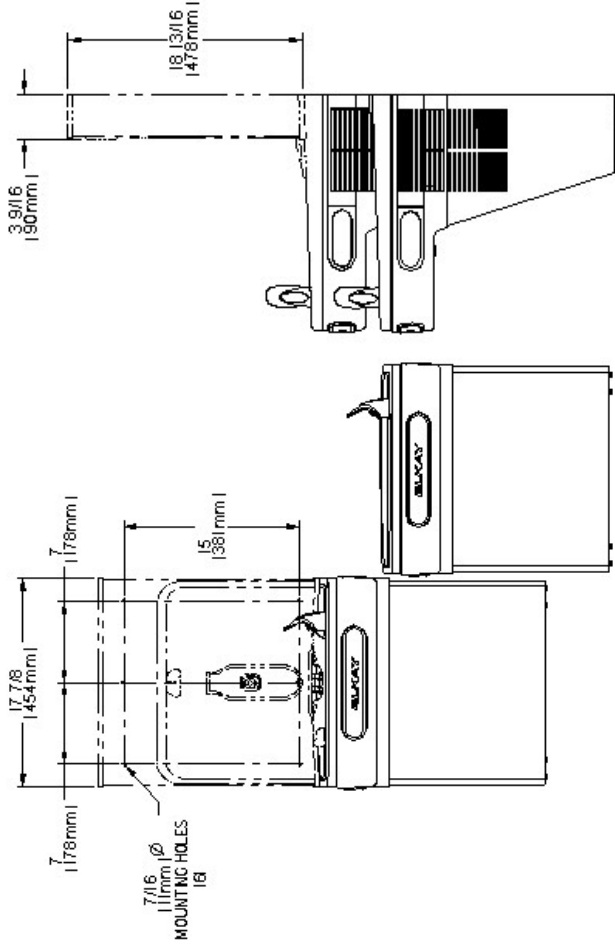
- Educational facilities
- Healthcare facilities
- Sport and fitness centers
- Airports
- Office buildings
- Other commercial buildings

### APPLICATIONS

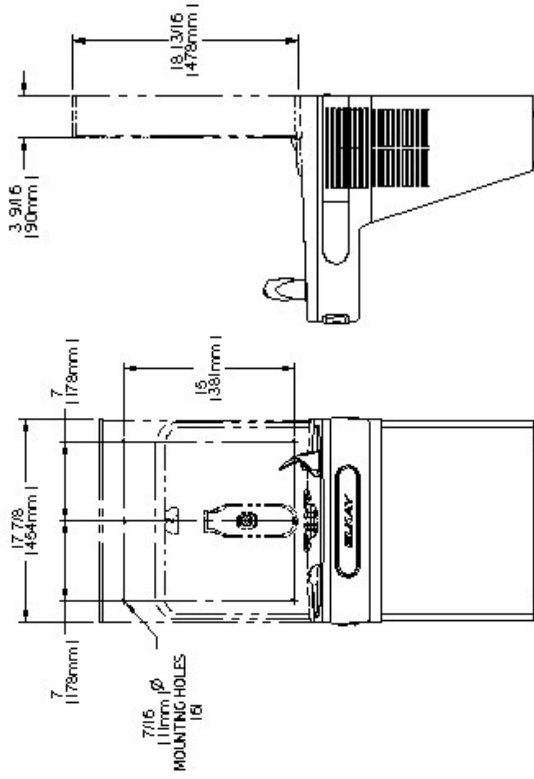
# ELKAY®

## ROUGH-IN DIMENSIONS

### Bi-Level Cooler Installation



### Single Cooler Installation



*\*Rated for Indoor Use Only*

#### Installation Notes:

- Unit will mount on bracket attached to wall by 6 holes (as shown above)
- Water and electrical will connect through a hole punched into basin.
- Retro Kit will include a punch to create hole in basin
- Cooler must be pressurized. Bi-level and glass filler prepped units are already pressurized. Single EZ style coolers will need to be pressurized.

**PRELIMINARY—SUBJECT TO CHANGE**  
**October 2009**

Job Name: \_\_\_\_\_ Qty: \_\_\_\_\_  
 Date: \_\_\_\_\_  
 Contact Info (Name, Phone, Email): \_\_\_\_\_  
 Approval for Manufacture Signature and Date: \_\_\_\_\_

Specifications and measurements are subject to change without notification.  
 Please visit [elkayusa.com](http://elkayusa.com) for most current version.

2222 Camden Court  
 Oak Brook, IL 60523  
 Phone: 630-572-3192  
 Web: [Elkayusa.com](http://Elkayusa.com)

**Model LZWSRK**