

ELKAY®

commercial
products

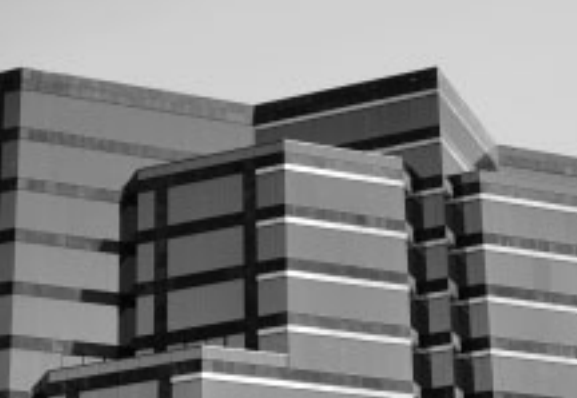
Water Coolers and Drinking Fountains

LIST PRICE DF-49

**Effective: February 1, 2010
Supersedes DF-48**



Discover the
professional's choice.™



TERMS AND CONDITIONS

Pricing

Prices and product specifications are subject to change without notice.

Terms

As Standard.

Taxes

All Federal, State or Local Taxes, when applicable, will be added.

ELECTRONIC DATA INTERCHANGE (EDI)

Elkay supports the following EDI transaction sets: Inbound Purchase Orders (850), Outbound Invoices (810), Advanced Ship Notice (856), Inbound Remittance Advice (820) and Outbound Order Acknowledgement (855). Please contact Elkay's EDI Coordinator at (630) 574-8484 to discuss the list of current transaction set versions and your implementation requirements.

Warranty

A detailed warranty certificate is enclosed with each water cooler and drinking fountain. Sample copy available on request. See elkayusa.com for full warranty information.

TABLE OF CONTENTS

TABLE OF CONTENTS	PAGE
ADA Compliant Water Coolers	3-5
Vandal-Resistant Water Coolers	3-4
ADA Compliant Drinking Fountains	5-6
Floor Model Water Coolers	7
Wall Mounted Water Coolers	7-8
Drinking Fountains	9
Water Chillers	9
Mounting Accessories	10
Accessories	10-11
Filters	10
Alpha/Numerical Product Listing	12-16

Special electrical requirements

Some models are available for use with 220-240 voltage.

Consult with Elkay Customer Service when ordering to specify frequency.

	SUG. LIST PRICE
50H, add	\$47.00
60H, add	\$84.00

NOTE: Minimum 40 psi supply line pressure required in special circumstances when both sides of a bi-level model are in use simultaneously, to ensure adequate stream height. Use of a water filter in this situation is not recommended. Does not apply to non-refrigerated units.




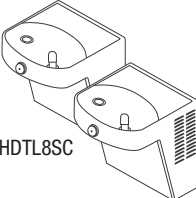

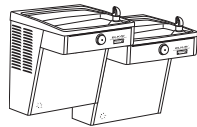


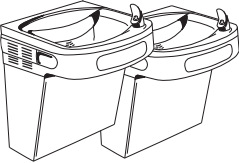
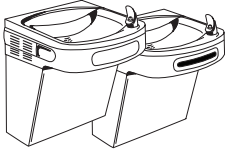

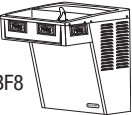
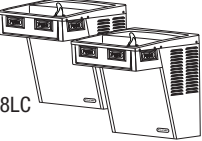
This symbol means model is ADA compliant when properly installed. See specification sheet for details.


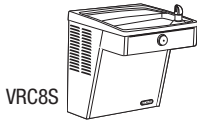
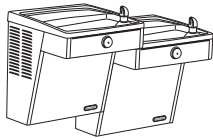

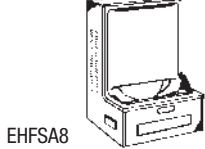

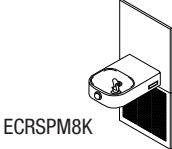

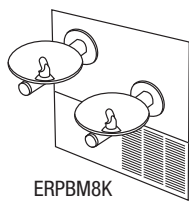

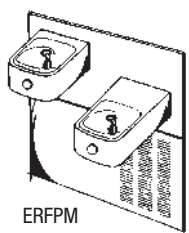

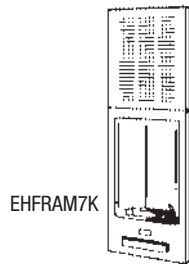


QUESTIONS?


Please contact your ELKAY representative to answer any questions or check our website at elkayusa.com.

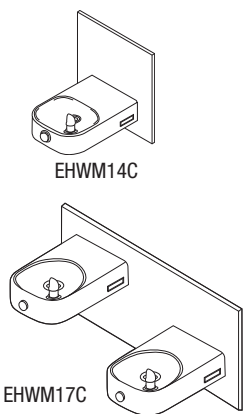
ELKAY®

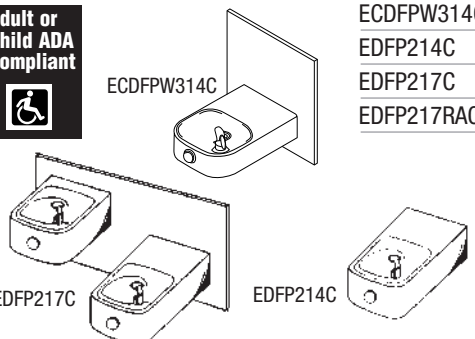
Series	MODEL NUMBER	DESCRIPTION / OPTIONS	GPH CAP.	SHIP WT. LBS	LIST PRICE	
VRCHD 14GA, Vandal Resistant , Adult or Child ADA Series						
 VRCHD8S  VRCHDTL8SC	VRCHD8S	Single Level	8	73	\$2,655.00	
	VRCHDTL8SC	Bi-Level, higher unit on left	8	110	\$4,455.00	
	VRCHDDS	Single Level without Refrigeration	-	55	\$2,060.00	
VRCGRN GreenSpec® High Efficiency, Adult or Child ADA Series						
 VRCGRN8  VRCGRNTL8C	VRCGRN8	Single Level	8	66	\$998.00	
	VRCGRNTL8C	Bi-Level, higher unit on left	8	94	\$1,596.00	
	LVRCGRN8F	Single Level with WaterSentry® Filter and LK1110 Glass Filler	8	70	\$1,270.00	
	LVRCGRNTL8FC	Bi-Level Level with WaterSentry® Filter and LK1110 Glass Filler	8	98	\$1,868.00	
EZ - Adult or Child ADA Series						
<div style="border: 1px solid black; padding: 2px; width: fit-content;"> Adult or Child ADA Compliant  </div>  LZ08  EZSTL8  LZOSTL8C	EZS8	Single Level	8.0	56	\$780.00	
	EZ08	Single Level - Sensor Operated	8.0	56	\$873.00	
	LZ08	Single Level - Sensor Operated with WaterSentry® Filter and Filter Monitor	8.0	59	\$950.00	
	LZS8	Single Level With WaterSentry® Filter	8.0	59	\$851.00	
	LZOD	Single Level - Sensor Operated With WaterSentry® Filter and Filter Monitor, without refrigeration (requires electric plug in for solenoid activation)	8.0	33	\$776.00	
	EZSD	Without refrigeration (requires electric plug in for solenoid activation)	-	33	\$606.00	
	EZSTL8C	Bi-Level, higher unit on left	8.0	89	\$1,362.00	
	EZSTLR8C	Bi-Level Reverse	8.0	89	\$1,362.00	
	EZOSTL8C	Bi-Level - Sensor Operated, higher unit on left	8.0	89	\$1,455.00	
	LZSTL8C	Bi-Level with WaterSentry® Filter, higher unit on left	8.0	92	\$1,433.00	
	EZSTLDDC	Bi-Level unit without refrigeration (requires electric plug in for solenoid activation), higher unit on left	-	66	\$1,188.00	
	LZOSTL8C	Bi-Level - Sensor Operated with WaterSentry® Filter and Filter Monitor	8.0	92	\$1,532.00	
	OPTIONS					
	Stainless Steel Lower Shroud - Single Unit, add					\$53.00
Stainless Steel Lower Shroud - Bi-Level Unit, add					\$105.00	
Vandal Resistant Bubbler, add for each bubbler					\$47.00	
EMABF - Adult or Child ADA Mechanically Activated Series						
<div style="border: 1px solid black; padding: 2px; width: fit-content;"> Adult or Child ADA Compliant  </div>  EMABF8  LMABFTL8LC	EMABF8	Mechanical Push Bar Single Level	8.0	72	\$780.00	
	LMABF8	Single Level with WaterSentry® Filter	8.0	75	\$851.00	
	EMABFD	Mechanical Push Bar Single Level without refrigeration	-	35	\$606.00	
	EMABFTL8C	Mechanical Push Bar Bi-Level	8.0	93	\$1,362.00	
	LMABFTL8C	Bi-Level with WaterSentry® Filter	8.0	96	\$1,433.00	
	EMABFTLDDC	Mechanical Push Bar Bi-Level without refrigeration	-	72	\$1,188.00	
	EMABFTLR8C	Mechanical Push Bar Bi-Level Reverse	8.0	93	\$1,362.00	
	EMABFTLRDDC	Mechanical Push Bar Bi-Level Reverse without refrigeration	-	72	\$1,188.00	
OPTIONS						
Vandal Resistant Bubbler, add for each bubbler					\$47.00	
Stainless Steel Cabinet, add Single					\$53.00	
Stainless Steel Cabinet, add Bi-Level					\$105.00	

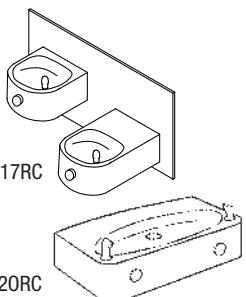
Series	MODEL NUMBER	DESCRIPTION / OPTIONS	GPH CAP.	SHIP WT. LBS	LIST PRICE
VRC - Adult or Child ADA Vandal Resistant Series					
  	VRC8S	Single Level	7.8	66	\$954.00
	LVRC8S	Single Level with WaterSentry® Filter	7.8	68	\$1,025.00
	VRCDS	Single Level without Refrigeration	-	28	\$780.00
	VRCTL8SC	Bi-Level, higher unit on left	7.8	94	\$1,553.00
	LVRCTL8SC	Bi-Level with WaterSentry® Filter	7.8	97	\$1,624.00
	VRCTLR8SC	Bi-Level Reverse	7.8	94	\$1,553.00
	VRCTLDSC	Bi-Level without Refrigeration, higher unit on left	-	56	\$1,379.00
	OPTIONS				
Louver Screens, add for each set of two (2) screens					\$47.00
Frost Resistant, [†] add per basin					\$455.00
EHFSA - Adult ADA Compliant - Legacy ADA Series					
 	EHFSA8	Pushbar front and sides	7.6	73	\$908.00
	EHFSAD	Pushbar front and sides - non-refrigerated	-	31	\$783.00
	OHFAVR8	Vandal Resistant Indoor/Outdoor	7.6	78	\$1,617.00
	OPTIONS				
Stainless Steel Cabinet, add					\$107.00
ECRSP - Soft Sides® SlimLine® Refrigerated Fountain					
 	ECRSPM8K	Single Level	7.5	99	\$2,663.00
	LCRSPM8K	Single Level with WaterSentry® Filter	7.5	103	\$2,734.00
	OPTIONS				
Vandal Resistant Bubbler, add					\$47.00
ERPBM - Swirlflo® Architectural Series					
 	ERPBM8K	Single Level	7.5	93	\$2,986.00
	LRPBM8K	Single Level with WaterSentry® Filter	7.5	94	\$3,057.00
	ERPBM28K	Bi-Level, higher unit on left	7.5	140	\$4,107.00
	LRPBM28K	Bi-Level with WaterSentry® Filter, higher unit on left	7.5	141	\$4,178.00
	ENOBM8K	Single Level - Sensor Operated	7.5	98	\$3,201.00
	ENOBM28K	Bi-Level - Sensor Operated, higher unit on left	7.5	133	\$4,322.00
	OPTIONS				
Vandal Resistant Bubbler, add for each bubbler					\$47.00
ERFPM - Soft Sides® Refrigerated Fountain Series					
 	ERFPM8K	Single Level	7.5	100	\$2,663.00
	LNFM8K	Single Level with WaterSentry® Filter	7.5	104	\$2,734.00
	ERFPM28K	Bi-Level, higher unit on left	7.5	136	\$3,658.00
	LNTEM8K	Bi-Level with WaterSentry® Filter	7.5	140	\$3,729.00
	EROM8K	Single Level - Sensor Operated	7.5	100	\$2,878.00
	EROM28K	Bi-Level - Sensor Operated, higher unit on left	7.5	136	\$3,873.00
	OPTIONS				
Vandal Resistant Bubbler, add for each bubbler					\$47.00
EHFRA - Fully Recessed Refrigerated Fountain Series					
 	EHFRAM7K	Wheelchair Access Model	6.9	119	\$3,110.00

[†] Not recommended with water filtered unit.


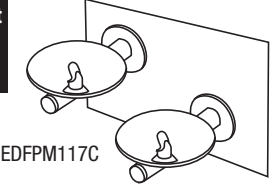



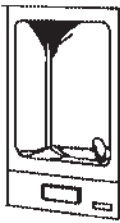
Series	MODEL NUMBER	DESCRIPTION / OPTIONS	GPH CAP.	SHIP WT. LBS	LIST PRICE
EFR - Fully Recessed Refrigerated Fountain Series					
 <p>EFRM8CDK</p>	EFRM8K	Front Pushbutton	8.0	115	\$2,737.00
	EFRM12K *	Front Pushbutton	12.0	116	\$2,862.00
	LJNEM8K	With WaterSentry® Filter	8.0	119	\$2,808.00
	LJNEM12K *	With WaterSentry® Filter	12.0	120	\$2,933.00
	EFRM8CDK	With Cup Filler, Cup Dispenser and Waste Bin	8.0	146	\$4,977.00
	EFRM12CDK *	With Cup Filler, Cup Dispenser and Waste Bin	12.0	147	\$5,102.00
	EFRPCM8K	With Cuspidor, two mounting boxes, Font Pushbar	8.0	151	\$5,120.00

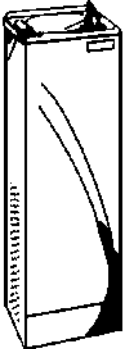
Series	MODEL NUMBER	DESCRIPTION / OPTIONS	GPH CAP.	SHIP WT. LBS	LIST PRICE	
EHW - 14 Gauge Heavy Duty Soft Sides® Series						
 <p>EHWM14C</p> <p>EHWM17C</p>	With Surface Mounting Plates Included					
	EHWM14C	SlimLine® Single Level, Adult or Child ADA	-	38	\$1,679.00	
	EHWM214C	Single Level Adult ADA (Integral P Trap)	-	51	\$1,712.00	
	EHWM17C	SlimLine® Bi-Level, Adult or Child ADA, higher unit on left	-	74	\$2,862.00	
	EHWM217C	Bi-Level, Adult ADA (Integral P Trap), higher unit on left	-	80	\$2,923.00	
	EHWM217RAC	Bi-Level Reversed, Adult ADA	-	80	\$2,923.00	
	For use with In-Wall Carrier Mounting Systems (ordered separately)					
	EHW214C	Single Level Adult ADA (Integral P Trap)	-	46	\$1,587.00	
	EHW217C	Bi-Level, Adult ADA (Integral P Trap), higher unit on left	-	75	\$2,674.00	
	EHW217RAC	Bi-Level Reversed, Adult ADA	-	75	\$2,674.00	
OPTIONS						
Freeze Protection, add per basin					\$599.00	

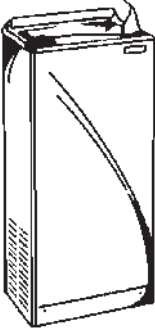
Series	MODEL NUMBER	DESCRIPTION / OPTIONS	GPH CAP.	SHIP WT. LBS	LIST PRICE	
ECDF/EDFP - 18 Gauge Soft Sides® Fountain Series						
 <p>ECDFPW314C</p> <p>EDFP217C</p> <p>EDFP214C</p>	ECDFPW314C	SlimLine® Single Level, Adult or Child ADA	-	20	\$1,368.00	
	EDFP214C	Single Level, Adult ADA (Integral P trap)	-	29	\$995.00	
	EDFP217C	Bi-Level, Adult ADA, higher unit on left	-	56	\$2,115.00	
	EDFP217RAC	Bi-Level Reversed, Adult ADA	-	56	\$2,115.00	
	OPTIONS					
	Freeze Protection, add per basin					\$599.00
Vandal Resistant Bubbler, add for each bubbler					\$47.00	


Series	MODEL NUMBER	DESCRIPTION / OPTIONS	GPH CAP.	SHIP WT. LBS	LIST PRICE
EDF COMPOSITE - Premium Composite Material Soft Sides® Fountain Series					
 <p>EDFPV217RC</p> <p>EDFP220RC</p>	EDFP214RC	Single Level Wall Mount - Adult ADA	-	37	\$1,085.00
	EDFPV217RC	Bi-Level Station Adult ADA, Vandal Resistant	-	53	\$2,511.00
	EDFP220RC	Dual Station Adult ADA, Push button control	-	95	\$2,489.00
	EDFPV220RC	Dual Station Adult ADA, Vandal Resistant	-	96	\$2,583.00
	EDFPV320RC	Triple Station Adult ADA, Vandal Resistant	-	126	\$3,413.00
	EDFPV217RFPK	Bi-Level Station Adult ADA, Vandal Resistant, Freeze Protection	-	95	\$3,449.00
	EDFPV320RFPK	Triple Station Adult ADA, Vandal Resistant, Freeze Resistant	-	152	\$4,148.00

* Meets no lead definition of NSF/ANSI 61 only.

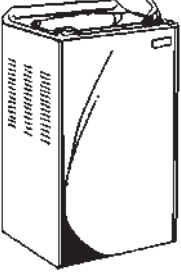
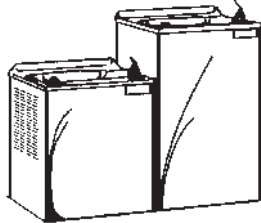
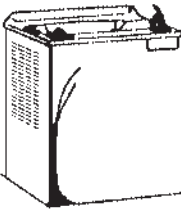

Series	MODEL NUMBER	DESCRIPTION / OPTIONS	GPH CAP.	SHIP WT. LBS	LIST PRICE
EDFPB - Swirflo® Architectural Fountain Series		With Surface Mounting Plates included			
  <p>EDFPB117C</p>	EDFPBWM114C	Single Level with wall plate	–	25	\$1,867.00
	EDFPB117C	Bi-Level with wall plate, higher unit on left	–	71	\$2,861.00
	EDFPBM117RAC	Bi-Level reverse	–	71	\$2,861.00
 <p>EDFPB114C</p>	For use with In-Wall Carrier Mounting Systems (ordered separately)				
	EDFPB114C	Single Level	–	18	\$1,617.00
	EDFPBW114C	Single Level with wall plate	–	20	\$1,742.00
	EDFPB117C	Bi-Level with wall plate, higher unit on left	–	66	\$2,612.00
	EDFPB117RAC	Bi-Level reverse	–	66	\$2,612.00
OPTIONS					
Freeze Protection, add per basin					\$599.00
Vandal Resistant Bubbler, add for each bubbler					\$47.00
EDFB - Fully Recessed Series					
 <p>EDFB12C</p>  <p>EDFB212C</p> 	EDFB12C	Front Pushbar	–	29	\$1,556.00
	EDFBC212C	Fountain and Cuspidor	–	56	\$3,110.00
	EDFBC12PBC	Cuspidor only, with pushbar	–	30	\$1,556.00

Series	MODEL NUMBER	DESCRIPTION / OPTIONS	GPH CAP.	SHIP WT. LBS	LIST PRICE
FD Standard Floor Series - Space-ette®					
 <p>FD700</p>	FD7003		3.0	63	\$809.00
	FD7005		5.0	63	\$859.00
	FD70010		9.8	64	\$983.00
	FD700D	Non-refrigerated	-	30	\$509.00
	LFDE3	With WaterSentry® Filter	3.0	67	\$880.00
	LFDE10	With WaterSentry® Filter	9.8	68	\$1,054.00
	OPTIONS				
		Stainless Steel Panels, add			\$200.00

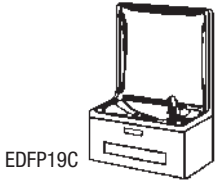



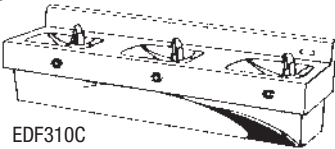
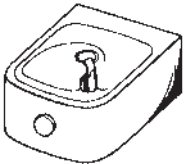
Series	MODEL NUMBER	DESCRIPTION / OPTIONS	GPH CAP.	SHIP WT. LBS	LIST PRICE
EFA Deluxe Floor Series					
 <p>EFA4</p>	EFA4		4.0	78	\$970.00
	EFA8		7.6	81	\$1,021.00
	EFA14		13.5	84	\$1,171.00
	EFA16 *		15.5	87	\$1,219.00
	EFA20 *		19.5	85	\$1,319.00
	EFDA	Non-refrigerated	-	55	\$623.00
	EFOA8	Sensor Operated	8.0	81	\$1,244.00
	EFW16	Water Cooled	16.0	85	\$1,468.00
	EFWC16	Corrosion Resistant (stainless steel only)	16.0	85	\$2,205.00
	EFY8	Explosion Proof - Stainless Steel Cabinet is Standard	8.0	81	\$2,737.00
	LFAE8	With WaterSentry® Filter	7.6	74	\$1,092.00
	EFHA8 (115 Volt)	Hot and Cold Service	7.6	90	\$1,739.00
	EFHA8 (220 Volt)	Hot and Cold Service	7.6	90	\$2,258.00
	OPTIONS				
		Foot Pedal, add			\$89.00
		Stainless Steel Panels, add			\$200.00

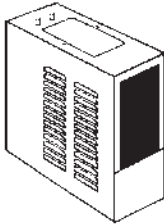
Series	MODEL NUMBER	DESCRIPTION / OPTIONS	GPH CAP.	SHIP WT. LBS	LIST PRICE
ESWA - Simulated Semi-Recessed Series					
 <p>ESWA8</p>	ESWA8	Front Pushbutton	7.8	66	\$1,556.00
	ESWDA	Non-refrigerated	-	45	\$809.00
	OPTIONS				
		Stainless Steel Wrapper, add			\$107.00

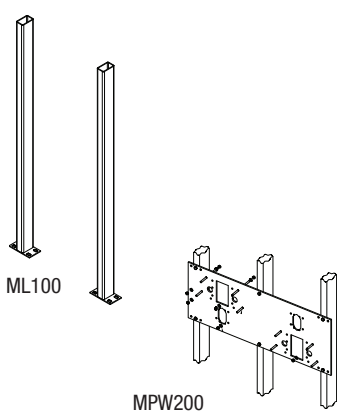
* Meets no lead definition of NSF/ANSI 61 only.

Series	MODEL NUMBER	DESCRIPTION / OPTIONS	GPH CAP.	SHIP WT. LBS	LIST PRICE
EWA - Deluxe Wall Mount Series					
 <p>EWA4</p>	EWA4		4.0	66	\$948.00
	EWA8		7.6	69	\$995.00
	EWA14		13.5	72	\$1,146.00
	EWA16 *		15.5	76	\$1,194.00
	EWA20 *		19.5	74	\$1,295.00
	EWDA	Non-refrigerated	-	44	\$596.00
	LWAE8	With WaterSentry® Filter	7.6	74	\$1,066.00
OPTIONS					
Stainless Steel Panels, add					\$200.00
EWTLA - Deluxe Wall Mount Bi-Level Series					
 <p>EWTLA8</p>	EWTLA8K		7.6	108	\$1,617.00
	EWTLA14K		13.5	112	\$1,767.00
	EWTLA16K		15.5	112	\$1,815.00
	OPTIONS				
Stainless Steel Panels, add					\$235.00
EWCA - Compact Wall Mount Series					
 <p>EWCA4</p>	EWCA4		4.0	59	\$933.00
	EWCA8		7.6	64	\$983.00
	EWCA14		13.5	68	\$1,132.00
	EWDA	Non-refrigerated	-	36	\$528.00
	LWCE8	With WaterSentry® Filter	7.6	68	\$1,054.00
OPTIONS					
Stainless Steel Panels, add					\$200.00
HEW - Standard Wall Mount Slant Front Series					
 <p>HEW3</p>	HEW3		3.0	42	\$870.00
	HEWD	Non-refrigerated	-	26	\$528.00
	OPTIONS				
Stainless Steel Panels, add					\$135.00




* Meets no lead definition of NSF/ANSI 61 only.




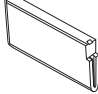



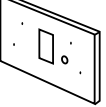
Series	MODEL NUMBER	DESCRIPTION / OPTIONS	GPH CAP.	SHIP WT. LBS	LIST PRICE
EDFP19 - Simulated Semi-Recessed Fountain					
 <p>EDFP19C</p>	EDFP19C	Front Pushbar	-	21	\$995.00
DRKR - Countertop Series					
 <p>DRKR10C</p>  <p>DRKR14C</p>	DRKR10C	10" diameter	-	5	\$311.00
	DRKR14C	Swirflo® Countertop, 14" diameter	-	7	\$498.00
	DRKR14RC	Remote Pushbutton	-	7	\$411.00
	OPTIONS				
Vandal Resistant Bubbler (DRKR14RC only), add					\$47.00
EDF Series					
 <p>EDF15R</p>  <p>EDF310C</p>	EDF15R	Bracket Drinking Fountain	-	5	\$280.00
	EDF210C	Two-Station, bottom cover plate included	-	35	\$3,048.00
	EDF310C	Three-Station, bottom cover plate included	-	50	\$3,359.00
EDFP - Soft Sides® Fountain					
 <p>EDFP210C</p>	EDFP210C	Stainless Steel	-	19	\$933.00
	EDFP210RC	Premium Composite Single Level Wall Mount - Push button control	-	34	\$1,023.00
	EDF214WC	Composite Gel Coated Single Level Wall Mount - with LK142 Bubbler	-	50	\$778.00
	OPTIONS				
Freeze Protection (EDFP210C only), add					\$599.00

Series	MODEL NUMBER	DESCRIPTION / OPTIONS	GPH CAP.	SHIP WT. LBS	LIST COST
Remote Water Chillers					
 <p>ERS1</p>	ERS1	All Stainless Steel Waterway	1.5	35	\$783.00
	ER2		2.5	48	\$721.00
	ER5		5.7	72	\$1,244.00
	ECH8		8.0	47	\$933.00
	ER10		9.6	73	\$1,369.00
	ER19		19.0	100	\$2,115.00
	ER30		29.5	121	\$2,489.00
	ERW20	Water Cooled	19.8	100	\$2,489.00
	ERW32	Water Cooled	31.9	120	\$2,612.00

Series	MODEL NUMBER	DESCRIPTION / OPTIONS	SHIP WT. LBS	LIST PRICE
In-Wall Carrier Mounting Systems				
	MLP100	Single In-Wall Mounting Frame used on EZ, EMABF, VRC	36	\$473.00
	MLP200	Bi-Level In-Wall Mounting Frame used on EZSTL, EMABFTL, VRCTL	58	\$777.00
	ML100	In-Wall Support Legs (To be used with MPW101, MPW200, MPW201)	27	\$336.00
	MPW101	Single In-Wall Mounting Plate used on EDFP210, EDFP214, EDFPB114, EDFPBW114, EHW214	11	\$130.00
	MPW200	Bi-Level In-Wall Mounting Plate used on EDFP217, EDFPB117, EHW217	40	\$229.00
	MPW201	In-Wall Multi-Station Mounting Plate used on EDFP220	40	\$273.00
Mounting Accessories				
	MB23A	Mounting box used on EFRCM8K, EFRCM12K, and EFRPCM8K	36	\$274.00
	MB23AL	Mounting box used on LJNEM8K and LJNEM12K	37	\$336.00
	MB24	Mounting box used on EFRPCM8K, EDFB12C, EDFBC12PBC and EDFBC212C	10	\$144.00
	MB30	Mounting box used on EHFRAM7K	37	\$349.00
	MF100	Mounting frame used on LNFEM8K, LRPBM8K, ERFPM8K, EROM8K, ERPBM8K, and ENOBM8K	19	\$198.00
	MFC100	Mounting frame used on ECRSPM8K and LCRSPM8K	19	\$198.00
	MF200	Mounting frame used on LNTEM8K, LNTEM8RAK, LRPBM28K, LRPBM28RAK, ERFPM28K, ERFPM28RAK, EROM28K, EROM28RAK, ERPBM28K, ERPBM28RAK, ENOBM28K, and ENOBM28RAK	32	\$248.00
	MP20	Mounting plate used on EDFPBM117FPK. Optional accessory for EDFP217C	24	\$249.00
	MP20RA	Mounting plate used on EDFPBM117FPRAK. Optional accessory for EDFP217RAC	24	\$249.00

Unless otherwise indicated, mounting boxes, frames and plates are included with base cooler price.

Series	MODEL NUMBER	DESCRIPTION / OPTIONS	SHIP WT. LBS	LIST COST
Louvered Grills				
	EG1	Stainless steel for ECH8	8	\$473.00
	EG2	Painted steel for ECH8	8	\$268.00
	EG3	Painted steel for ER5, ER10, ER19	10	\$355.00
Filters				
	EWF172	WaterSentry® Filter Kit - Cyst/Lead Reduction and Sediment-Taste-Odor	3	\$96.00
	LF2	In-Line Water Filter	2	\$84.00
	98262C	Filter Monitor Kit (Internal audio alarm)	1	\$269.00
Glass Fillers				
	LK109A	Glass filler with push lever	2	\$208.00
	LK1110	Glass filler with push down control	1	\$201.00
	LK1114	Cup and carafe filler	2	\$252.00

MODEL Series	NUMBER	DESCRIPTION / OPTIONS	SHIP WT. LBS	LIST PRICE
Bubblers				
LK142 	LK142	Bubbler, push-down, lead-free	1	\$120.00
	45392C	Vandal-resistant bubbler	1	\$47.00
	56073C	Flexi-Guard bubbler	1/8	\$18.00
Bubbler Kits				
98481C 	97446C	Vandal-resistant bubbler kit and hardware	2	\$84.00
	98481C	Vandal-resistant StreamSaver™ Bubbler Kit	4	\$105.00
	98501C	Flexi-Guard® StreamSaver™ Bubbler Kit	1/2	\$26.00
Aprons				
97258C 	97258C	Apron for use on EDFP217C, EDFP217RAC, EDFP217FPK, ERFPM28K, ERFPM28RAK, EROM28K, EROM28RAK, LNTEM8K and LNTEM8RAK (Not factory installed, only available in black)	3	\$172.00
	98313C	Apron for use on EMABF series light gray granite units	3	\$164.00
LKAPR1 	98324C	Apron for use on EMABF and VRC series stainless steel units	5	\$198.00
	LKAPR1	Apron for use on ERPBM28K, ERPBM28RAK, EDFPBM117C, EDFPBM117RAC and EDFPBM117FPK (Not factory installed, only available in gray)	3	\$224.00
LKAPREZL 	LKAPR2	Apron for use on EHWM17C and EHWM217C, 14 gauge stainless steel (not factory installed)	5	\$336.00
	LKAPREZL	Apron for use on EZSTL8C, EZTL8C, EZSTLR8C, EZTLR8C, LZSTL8C, LZTL8C, LZSTLR8C and LZTLR8C (Not factory installed, only available in gray)	3	\$165.00
Panels				
	AP99	Access Panel Kit	3.5	\$87.00
	28554C	Stainless Steel Back Panel for EZSTL	7	\$443.00
	28410C	Stainless Steel Back Panel for EZSTLR	7	\$443.00
Post Mount Shelves				
PM3 	PM3	Post mount shelf with brackets for ER2, ER5, ER10, ECH8 and ERS1	11	\$268.00
	PM4	Post mount shelf with brackets for ER19 and ERW20	16	\$268.00
Wall Bezel				
RP2130 	RP2130	Wall bezel will cover wall surface imperfections left when replacing water cooler models HEW, EWA, EWCA and with ADA compliant models EZ, EZS, EZO, LZ, and LZS.	4	\$172.00
Wall Plates				
WP2 	WP2	Wall plate for Soft Sides® models EDFP210C and EDFP214C single station drinking fountains	3	\$131.00

WATER COOLERS

Legend

- 2*JO = 220V/50Hertz
- 3*JO = 220V/60Hertz
- F = Glass Filler - Prep Only, unless noted with ▲
- FR = Frost Resistant (VRC/LVRC models)
- K = partial backpanel (EFA, EW(TL)A, EWCA models)
- P = Foot Pedal (EFA models)
- SC = Louver Screens (VRC, LVRC models)
- VR = Vandal Resistant Bubbler

Elkay Model	List Price
⊗ EFA4L1Z	\$970.00
⊗ EFA4N1Z	\$970.00
⊗ EFA4S1Z	\$1,170.00
⊗ EFA4T1Z	\$970.00
⊗ EFA4LF1Z	\$1,020.00
⊗ EFA4LFK1Z	\$1,101.00
⊗ EFA4LFP1Z	\$1,109.00
⊗ EFA4LK1Z	\$1,051.00
⊗ EFA4LP1Z	\$1,059.00
⊗ EFA4LPK1Z	\$1,140.00
⊗ EFA4SFK1Z	\$1,301.00
⊗ EFA4SK1Z	\$1,251.00
⊗ EFA4SP1Z	\$1,259.00
⊗ EFA4TF1Z	\$1,020.00
⊗ EFA4L2YJO	\$1,017.00
⊗ EFA4S2YJO	\$1,217.00
⊗ EFA4SF2YJO	\$1,267.00
⊗ EFA4T2YJO	\$1,017.00
⊗ EFA4TK2YJO	\$1,098.00
EFA8L1Z	\$1,021.00
⊗ EFA8N1Z	\$1,021.00
⊗ EFA8S1Z	\$1,221.00
⊗ EFA8T1Z	\$1,021.00
⊗ EFA8LF1Z	\$1,071.00
⊗ EFA8LFK1Z	\$1,152.00
⊗ EFA8LFP1Z	\$1,160.00
⊗ EFA8LFPK1Z	\$1,241.00
⊗ EFA8LK1Z	\$1,102.00
⊗ EFA8LP1Z	\$1,110.00
▲ ⊗ EFA8L1110P	\$1,311.00
▲ ⊗ EFA8L1110P	\$1,511.00
⊗ EFA8SF1Z	\$1,271.00
⊗ EFA8SFK1Z	\$1,352.00
⊗ EFA8SFPK1Z	\$1,441.00
⊗ EFA8SK1Z	\$1,302.00
⊗ EFA8SP1Z	\$1,310.00
⊗ EFA8L2YJO	\$1,068.00
⊗ EFA8L3YJO	\$1,105.00
⊗ EFA8LF2YJO	\$1,118.00
⊗ EFA8LF3YJO	\$1,155.00
⊗ EFA8LFP2YJO	\$1,207.00
⊗ EFA8LP2YJO	\$1,157.00
⊗ EFA8S2YJO	\$1,268.00
⊗ EFA8S3YJO	\$1,305.00
⊗ EFA8SF2YJO	\$1,318.00
⊗ EFA8SF3YJO	\$1,355.00
⊗ EFA8T2YJO	\$1,068.00
EFA14L1Z	\$1,171.00
⊗ EFA14N1Z	\$1,171.00
⊗ EFA14S1Z	\$1,371.00
⊗ EFA14T1Z	\$1,171.00
⊗ EFA14LF1Z	\$1,221.00
⊗ EFA14LFK1Z	\$1,302.00
⊗ EFA14LFP1Z	\$1,310.00
⊗ EFA14LK1Z	\$1,252.00
⊗ EFA14LP1Z	\$1,260.00
⊗ EFA14LPK1Z	\$1,341.00
⊗ EFA14NF1Z	\$1,221.00
⊗ EFA14NFP2YJO	\$1,357.00
⊗ EFA14SF1Z	\$1,421.00
⊗ EFA14SFK1Z	\$1,502.00

Elkay Model	List Price
⊗ EFA14SFP1Z	\$1,510.00
⊗ EFA14SK1Z	\$1,452.00
⊗ EFA14SP1Z	\$1,460.00
⊗ EFA14L2YJO	\$1,218.00
⊗ EFA14L3YJO	\$1,255.00
⊗ EFA14LF2YJO	\$1,268.00
⊗ EFA14LF3YJO	\$1,305.00
⊗ EFA14LFP2YJO	\$1,357.00
⊗ EFA14LP2YJO	\$1,307.00
⊗ EFA14N2YJO	\$1,218.00
⊗ EFA14S2YJO	\$1,418.00
⊗ EFA14S3YJO	\$1,455.00
⊗ EFA14SF2YJO	\$1,468.00
⊗ EFA14SF3YJO	\$1,505.00
⊗ EFA14SFP2YJO	\$1,557.00
⊗ EFA14SP2YJO	\$1,507.00
⊗ EFA14T2YJO	\$1,218.00
⊗ EFA14TFP2YJO	\$1,357.00
⊗ EFA16L1Y	\$1,219.00
⊗ EFA16N1Y	\$1,219.00
⊗ EFA16S1Y	\$1,419.00
⊗ EFA16T1Y	\$1,219.00
⊗ EFA16LF1Y	\$1,269.00
⊗ EFA16LFK1Y	\$1,350.00
⊗ EFA16LFP1Y	\$1,358.00
⊗ EFA16LK1Y	\$1,300.00
⊗ EFA16LP1Y	\$1,308.00
⊗ EFA16SF1Y	\$1,469.00
⊗ EFA16SFK1Y	\$1,550.00
⊗ EFA16L2YJO	\$1,266.00
⊗ EFA16LF2YJO	\$1,316.00
⊗ EFA16S2YJO	\$1,466.00
⊗ EFA16SF2YJO	\$1,516.00
⊗ EFA16T2YJO	\$1,266.00
⊗ EFA16L3YJO	\$1,303.00
⊗ EFA16LF3YJO	\$1,353.00
⊗ EFA16S3YJO	\$1,503.00
⊗ EFA16SF3YJO	\$1,553.00
⊗ EFA20L1Y	\$1,319.00
⊗ EFA20N1Y	\$1,319.00
⊗ EFA20S1Y	\$1,519.00
⊗ EFA20T1Y	\$1,319.00
⊗ EFA20LF1Y	\$1,369.00
⊗ EFA20LFK1Y	\$1,450.00
⊗ EFA20LFP1Y	\$1,458.00
⊗ EFA20LK1Y	\$1,400.00
⊗ EFA20LP1Y	\$1,408.00
⊗ EFA20SF1Y	\$1,569.00
⊗ EFA20SFK1Y	\$1,684.00
⊗ EFA20SK1Y	\$1,600.00
⊗ EFA20SP1Y	\$1,608.00
⊗ EFA20SPK1Y	\$1,689.00
⊗ EFA20L2YJO	\$1,366.00
⊗ EFA20LF2YJO	\$1,416.00
⊗ EFA20LP2YJO	\$1,455.00
⊗ EFA20S2YJO	\$1,566.00
⊗ EFA20SF2YJO	\$1,616.00
⊗ EFA20T2YJO	\$1,366.00
⊗ EFA20L3YJO	\$1,403.00
⊗ EFA20LF3YJO	\$1,453.00
⊗ EFA20S3YJO	\$1,603.00
⊗ EFA20SF3YJO	\$1,653.00
⊗ EFA25S2YJO	\$1,925.00
⊗ EFA25S3YJO	\$1,961.00
⊗ EFDAL	\$623.00
⊗ EFDAS	\$824.00
⊗ EFHA8L1Z	\$1,739.00
⊗ EFHA8L2YJO	\$2,258.00
⊗ EFHA8N1Z	\$1,739.00
⊗ EFHA8S1Z	\$1,939.00
⊗ EFHA8LF1Z	\$1,789.00
⊗ EFHA8LFP1Z	\$1,878.00
⊗ EFHA8LP1Z	\$1,828.00
⊗ EFHA8S2YJO	\$2,458.00

Elkay Model	List Price
⊗ EFHA8SFP1Z	\$2,078.00
⊗ EFOA8L1Z	\$1,244.00
⊗ EFOA8N1Z	\$1,244.00
⊗ EFOA8S1Z	\$1,444.00
⊗ EFOA8T1Z	\$1,244.00
⊗ EFW16L1Z	\$1,468.00
⊗ EFW16N1Z	\$1,468.00
⊗ EFW16S1Z	\$1,668.00
⊗ EFW16T1Z	\$1,468.00
⊗ EFW16LP1Z	\$1,557.00
⊗ EFW16L2YJO	\$1,515.00
⊗ EFW16S2YJO	\$2,205.00
⊗ EFW16T2YJO	\$2,737.00
⊗ EFW16S1Z	\$908.00
⊗ EFW16T1Z	\$908.00
⊗ EFW16L1Z	\$1,015.00
⊗ EFW16S1Z	\$908.00
▲ ⊗ EFW16L1Z	\$1,116.00
▲ ⊗ EFW16S1Z	\$1,116.00
▲ ⊗ EFW16T1Z	\$1,223.00
⊗ EFW16L2YJO	\$955.00
⊗ EFW16S2YJO	\$992.00
⊗ EFW16T2YJO	\$1,062.00
⊗ EFW16S3YJO	\$1,099.00
⊗ EFW16T3YJO	\$783.00
⊗ EFW16L1Z	\$783.00
⊗ EFW16S1Z	\$890.00
⊗ EFW16T1Z	\$783.00
▲ ⊗ EFW16L1Z	\$991.00
EMABF8L	\$780.00
EMABF8S	\$833.00
⊗ EMABFVR8L	\$827.00
⊗ EMABFVR8S	\$880.00
EMABFTL8LC	\$1,362.00
EMABFTL8SC	\$1,467.00
⊗ EMABFTLR8LC	\$1,362.00
⊗ EMABFTLR8SC	\$1,467.00
⊗ EMABFTLVR8LC	\$1,456.00
⊗ EMABFTLVR8SC	\$1,561.00
EMABFDL	\$606.00
⊗ EMABFDS	\$659.00
EMABFTLDDLC	\$1,188.00
EMABFTLDDSC	\$1,293.00
⊗ EMABFTLRDDLC	\$1,188.00
⊗ EMABFTLRDDSC	\$1,293.00
ESWA8L1Z	\$1,556.00
⊗ ESWA8N1Z	\$1,556.00
⊗ ESWA8S1Z	\$1,663.00
⊗ ESWA8T1Z	\$1,556.00
▲ ⊗ ESWA8LF1Z	\$1,764.00
⊗ ESWA8L2ZJO	\$1,603.00
⊗ ESWA8L3YJO	\$1,640.00
⊗ ESWA8N2YJO	\$1,603.00
⊗ ESWA8N3YJO	\$1,640.00
⊗ ESWA8S2YJO	\$1,710.00
⊗ ESWA8S3YJO	\$1,747.00
⊗ ESWA8T2YJO	\$1,603.00
⊗ ESWA8T3YJO	\$1,640.00
⊗ ESWDAL	\$809.00
⊗ ESWDAN	\$809.00
⊗ ESWDAS	\$916.00
⊗ ESWDAT	\$809.00
⊗ EWA4L1Z	\$948.00
⊗ EWA4N1Z	\$948.00
⊗ EWA4S1Z	\$1,148.00
⊗ EWA4T1Z	\$948.00
⊗ EWA4LF1Z	\$998.00
⊗ EWA4LFK1Z	\$1,010.00
⊗ EWA4LK1Z	\$960.00
⊗ EWA4SF1Z	\$1,198.00
⊗ EWA4SFK1Z	\$1,210.00
⊗ EWA4SK1Z	\$1,160.00

▲ = Glass Filler included ⊗ = Non-stock item

Elkay Model	List Price
⊕ EWA4L2YJO	\$995.00
⊕ EWA4S2YJO	\$1,195.00
⊕ EWA4T2YJO	\$995.00
⊕ EWA8L1Z	\$995.00
⊕ EWA8N1Z	\$995.00
⊕ EWA8S1Z	\$1,195.00
⊕ EWA8T1Z	\$995.00
⊕ EWA8LF1Z	\$1,045.00
⊕ EWA8LFK1Z	\$1,057.00
⊕ EWA8LK1Z	\$1,007.00
⊕ EWA8SF1Z	\$1,245.00
⊕ EWA8SFK1Z	\$1,257.00
⊕ EWA8SK1Z	\$1,207.00
⊕ EWA8TF1Z	\$1,045.00
⊕ EWA8L2YJO	\$1,042.00
⊕ EWA8L3YJO	\$1,079.00
⊕ EWA8LF2YJO	\$1,092.00
⊕ EWA8LF3YJO	\$1,129.00
⊕ EWA8S2YJO	\$1,242.00
⊕ EWA8S3YJO	\$1,279.00
⊕ EWA8SF2YJO	\$1,292.00
⊕ EWA8SF3YJO	\$1,329.00
⊕ EWA8T2YJO	\$1,042.00
⊕ EWA14L1Z	\$1,146.00
⊕ EWA14N1Z	\$1,146.00
⊕ EWA14S1Z	\$1,346.00
⊕ EWA14T1Z	\$1,146.00
⊕ EWA14LF1Z	\$1,196.00
⊕ EWA14LFK1Z	\$1,208.00
⊕ EWA14LK1Z	\$1,158.00
⊕ EWA14SF1Z	\$1,396.00
⊕ EWA14SFK1Z	\$1,408.00
⊕ EWA14L2YJO	\$1,193.00
⊕ EWA14LF2YJO	\$1,243.00
⊕ EWA14S2YJO	\$1,393.00
⊕ EWA14SF2YJO	\$1,443.00
⊕ EWA14T2YJO	\$1,193.00
⊕ EWA14L3YJO	\$1,230.00
⊕ EWA14LF3YJO	\$1,280.00
⊕ EWA14S3YJO	\$1,430.00
⊕ EWA14SF3YJO	\$1,480.00
⊕ EWA16L1Y	\$1,194.00
⊕ EWA16N1Y	\$1,194.00
⊕ EWA16S1Y	\$1,394.00
⊕ EWA16T1Y	\$1,194.00
⊕ EWA16LF1Y	\$1,244.00
⊕ EWA16LFK1Y	\$1,256.00
⊕ EWA16LK1Y	\$1,206.00
⊕ EWA16SFK1Y	\$1,456.00
⊕ EWA16L2YJO	\$1,241.00
⊕ EWA16L3YJO	\$1,278.00
⊕ EWA16LF2YJO	\$1,291.00
⊕ EWA16LF3YJO	\$1,328.00
⊕ EWA16S2YJO	\$1,441.00
⊕ EWA16S3YJO	\$1,478.00
⊕ EWA16SF2YJO	\$1,491.00
⊕ EWA16SF3YJO	\$1,528.00
⊕ EWA16T2YJO	\$1,241.00
⊕ EWA20L1Y	\$1,295.00
⊕ EWA20N1Y	\$1,295.00
⊕ EWA20S1Y	\$1,495.00
⊕ EWA20T1Y	\$1,295.00
⊕ EWA20LF1Y	\$1,345.00
⊕ EWA20LFK1Y	\$1,357.00
⊕ EWA20LK1Y	\$1,307.00
⊕ EWA20SFK1Y	\$1,557.00
⊕ EWA20L2YJO	\$1,342.00
⊕ EWA20L3YJO	\$1,379.00
⊕ EWA20LF2YJO	\$1,392.00
⊕ EWA20LF3YJO	\$1,429.00
⊕ EWA20S2YJO	\$1,542.00
⊕ EWA20S3YJO	\$1,579.00
⊕ EWA20SF2YJO	\$1,592.00
⊕ EWA20SF3YJO	\$1,629.00

Elkay Model	List Price
⊕ EWA20T2YJO	\$1,342.00
⊕ EWDAL	\$596.00
⊕ EWDAN	\$596.00
⊕ EWDAS	\$796.00
⊕ EWDAT	\$596.00
⊕ EWDALF	\$646.00
⊕ EWCA4L1Z	\$933.00
⊕ EWCA4N1Z	\$933.00
⊕ EWCA4S1Z	\$1,133.00
⊕ EWCA4T1Z	\$933.00
⊕ EWCA4LF1Z	\$983.00
⊕ EWCA4LFK1Z	\$995.00
⊕ EWCA4LK1Z	\$945.00
⊕ EWCA4NF1Z	\$983.00
⊕ EWCA4SF1Z	\$1,183.00
⊕ EWCA4SFK1Z	\$1,195.00
⊕ EWCA4SK1Z	\$1,145.00
⊕ EWCA4TK1Z	\$945.00
⊕ EWCA4L2YJO	\$980.00
⊕ EWCA4LF2YJO	\$1,030.00
⊕ EWCA4S2YJO	\$1,180.00
⊕ EWCA4SF2YJO	\$1,230.00
⊕ EWCA4S3YJO	\$1,217.00
⊕ EWCA8L1Z	\$983.00
⊕ EWCA8N1Z	\$983.00
⊕ EWCA8S1Z	\$1,183.00
⊕ EWCA8T1Z	\$983.00
⊕ EWCA8LF1Z	\$1,033.00
⊕ EWCA8LFK1Z	\$1,045.00
⊕ EWCA8LK1Z	\$995.00
⊕ EWCA8NF1Z	\$1,033.00
⊕ EWCA8SF1Z	\$1,233.00
⊕ EWCA8SFK1Z	\$1,245.00
⊕ EWCA8SK1Z	\$1,195.00
⊕ EWCA8TK1Z	\$995.00
⊕ EWCA8L2YJO	\$1,030.00
⊕ EWCA8LF2YJO	\$1,080.00
⊕ EWCA8N2YJO	\$1,030.00
⊕ EWCA8S2YJO	\$1,230.00
⊕ EWCA8S3YJO	\$1,267.00
⊕ EWCA8SF2YJO	\$1,280.00
⊕ EWCA8T2YJO	\$1,030.00
⊕ EWCA14L1Z	\$1,132.00
⊕ EWCA14L2YJO	\$1,179.00
⊕ EWCA14L3YJO	\$1,216.00
⊕ EWCA14LF1Z	\$1,182.00
⊕ EWCA14LF2YJO	\$1,229.00
⊕ EWCA14LFK1Z	\$1,194.00
⊕ EWCA14LK1Z	\$1,144.00
⊕ EWCA14N1Z	\$1,132.00
⊕ EWCA14NF1Z	\$1,182.00
⊕ EWCA14S1Z	\$1,332.00
⊕ EWCA14S2YJO	\$1,379.00
⊕ EWCA14S3YJO	\$1,416.00
⊕ EWCA14SF2YJO	\$1,429.00
⊕ EWCA14SF3YJO	\$1,466.00
⊕ EWCA14SFK1Z	\$1,444.00
⊕ EWCA14T1Z	\$1,132.00
⊕ EWCA14T2YJO	\$1,179.00
⊕ EWCA14T3YJO	\$1,216.00
⊕ EWCDAL	\$528.00
⊕ EWCDAS	\$728.00
⊕ EWTLA8LK	\$1,617.00
⊕ EWTLA8SK	\$1,852.00
⊕ EWTLA8TK	\$1,617.00
⊕ EWTLA8LFK	\$1,667.00
⊕ EWTLA8LKK	\$1,630.00
⊕ EWTLA14LK	\$1,767.00
⊕ EWTLA14SK	\$2,002.00
⊕ EWTLA14LFK	\$1,817.00
⊕ EWTLA14LKK	\$1,780.00
⊕ EWTLA14SFK	\$2,052.00
⊕ EWTLA14L2K	\$1,814.00
⊕ EWTLA14S3K	\$2,086.00

Elkay Model	List Price
⊕ EWTLA16LK	\$1,815.00
⊕ EWTLA16SK	\$2,050.00
⊕ EWTLA16LFK	\$1,865.00
⊕ EWTLA16S3K	\$2,134.00
⊕ EZO4L	\$826.00
⊕ EZO4S	\$879.00
⊕ EZO8L	\$873.00
⊕ EZO8S	\$926.00
⊕ EZOVR8L	\$920.00
⊕ EZOVR8S	\$973.00
⊕ EZO8L2JO	\$920.00
⊕ EZO8L3JO	\$957.00
⊕ EZO8S2JO	\$973.00
⊕ EZO8S3JO	\$1,010.00
⊕ EZOSTL8LC	\$1,455.00
⊕ EZOSTL8SC	\$1,560.00
⊕ EZOSTLVR8LC	\$1,549.00
⊕ EZOSTLVR8SC	\$1,654.00
⊕ EZOSTL8L2JOC	\$1,502.00
⊕ EZOSTL8L3JOC	\$1,539.00
⊕ EZOSTL8S2JOC	\$1,607.00
⊕ EZOSTL8S3JOC	\$1,644.00
⊕ EZODL	\$698.00
⊕ EZODS	\$751.00
⊕ EZS4L	\$734.00
⊕ EZS4S	\$787.00
⊕ EZS4LF	\$784.00
⊕ EZS4SF	\$837.00
⊕ EZS8L	\$780.00
⊕ EZS8S	\$833.00
⊕ EZS8LF	\$830.00
⊕ EZS8SF	\$883.00
⊕ EZSVR8L	\$827.00
⊕ EZSVR8S	\$880.00
⊕ EZS8L2JO	\$827.00
⊕ EZS8L3JO	\$864.00
⊕ EZS8LF2JO	\$877.00
⊕ EZS8LF3JO	\$914.00
⊕ EZS8S2JO	\$880.00
⊕ EZS8S3JO	\$917.00
⊕ EZS8SF2JO	\$930.00
⊕ EZS8SF3JO	\$967.00
⊕ EZSTL8LC	\$1,362.00
⊕ EZSTL8SC	\$1,467.00
⊕ EZSTL8LFC	\$1,412.00
⊕ EZSTL8SFC	\$1,517.00
⊕ EZSTLVR8LC	\$1,456.00
⊕ EZSTLVR8SC	\$1,561.00
⊕ EZSTL8L2JOC	\$1,409.00
⊕ EZSTL8S2JOC	\$1,514.00
⊕ EZSTLR8LC	\$1,362.00
⊕ EZSTLR8SC	\$1,467.00
⊕ EZSTLR8LFC	\$1,412.00
⊕ EZSTLR8SFC	\$1,517.00
⊕ EZSTLVR8LC	\$1,456.00
⊕ EZSTLVR8SC	\$1,561.00
⊕ EZSDL	\$606.00
⊕ EZSDS	\$659.00
⊕ EZSDLF	\$656.00
⊕ EZSDSF	\$709.00
⊕ EZSVRDS	\$706.00
⊕ EZSTLDDLC	\$1,188.00
⊕ EZSTLDDSC	\$1,293.00
⊕ EZSTLDDLFC	\$1,188.00
⊕ EZSTLDDSF	\$1,343.00
⊕ EZSTLRDDL	\$1,188.00
⊕ EZSTLRDDSC	\$1,293.00
⊕ EZSTLRVRDDSC	\$1,387.00
⊕ FD7003L1Z	\$809.00
⊕ FD7003N1Z	\$809.00
⊕ FD7003S1Z	\$1,009.00
⊕ FD7003T1Z	\$809.00
⊕ FD7003LF1Z	\$859.00
⊕ FD7003SF1Z	\$1,059.00

⊕ = Non-stock item

Elkay Model	List Price
⊗ FD7003TF1Z	\$859.00
⊗ FD7003L2YJO	\$856.00
⊗ FD7003L3YJO	\$893.00
⊗ FD7003LF2YJO	\$906.00
⊗ FD7003S2YJO	\$1,056.00
⊗ FD7003SF2YJO	\$1,106.00
⊗ FD7003S3YJO	\$1,093.00
⊗ FD7003T2YJO	\$856.00
⊗ FD7003T3YJO	\$893.00
⊗ FD7003TF2YJO	\$906.00
⊗ FD7005L1Z	\$859.00
⊗ FD7005S1Z	\$1,059.00
FD7005T1Z	\$859.00
⊗ FD7005LF1Z	\$909.00
⊗ FD7005SF1Z	\$1,109.00
⊗ FD7005TF1Z	\$909.00
⊗ FD7005L2YJO	\$906.00
⊗ FD7005LF2YJO	\$956.00
⊗ FD7005L3YJO	\$943.00
⊗ FD7005S2YJO	\$1,106.00
⊗ FD7005S3YJO	\$1,143.00
⊗ FD7005SF2YJO	\$1,156.00
⊗ FD7005T2YJO	\$906.00
⊗ FD7005TF2YJO	\$956.00
⊗ FD7005T3YJO	\$943.00
⊗ FD70010L1Z	\$983.00
⊗ FD70010S1Z	\$1,183.00
FD70010T1Z	\$983.00
⊗ FD70010LF1Z	\$1,033.00
⊗ FD70010SF1Z	\$1,233.00
⊗ FD70010TF1Z	\$1,033.00
⊗ FD70010L2YJO	\$1,030.00
⊗ FD70010L3YJO	\$1,067.00
⊗ FD70010LF2YJO	\$1,080.00
⊗ FD70010S2YJO	\$1,230.00
⊗ FD70010S3YJO	\$1,267.00
⊗ FD70010SF2YJO	\$1,280.00
⊗ FD70010T2YJO	\$1,030.00
⊗ FD70010TF2YJO	\$1,080.00
⊗ FD70010T3YJO	\$1,067.00
⊗ FD700DL	\$509.00
⊗ FD700DT	\$509.00
⊗ HEW3L1Z	\$870.00
⊗ HEW3S1Z	\$1,005.00
HEW3T1Z	\$870.00
⊗ HEW3L2YJO	\$917.00
⊗ HEW3S2YJO	\$1,052.00
⊗ HEW3T2YJO	\$917.00
⊗ HEWDL	\$528.00
⊗ HEWDS	\$663.00
⊗ HEWDT	\$528.00
⊗ LFAE8L1Z	\$1,092.00
⊗ LFAE8S1Z	\$1,292.00
⊗ LFAE8LF1Z	\$1,142.00
⊗ LFAE8SF1Z	\$1,342.00
⊗ LFAE8L2YJO	\$1,139.00
⊗ LFAE8L3YJO	\$1,176.00
⊗ LFAE8S2YJO	\$1,339.00
⊗ LFAE8S3YJO	\$1,376.00
⊗ LFAE14L1Z	\$1,242.00
⊗ LFAE14S1Z	\$1,442.00
⊗ LFAE14L3YJO	\$1,326.00
⊗ LFAE14SF3YJO	\$1,576.00
⊗ LFAE16SF3YJO	\$1,624.00
⊗ LFAE20S1Y	\$1,590.00
⊗ LFAE20SF1Y	\$1,640.00
⊗ LFAE20SF3YJO	\$1,724.00
⊗ LFDE3T1Z	\$880.00
⊗ LFDE10L1Z	\$1,054.00
⊗ LFDE10S1Z	\$1,254.00
⊗ LFDE10T1Z	\$1,054.00
⊗ LFDE10LF1Z	\$1,104.00
⊗ LFDE10SF1Z	\$1,304.00
⊗ LFDE10TF1Z	\$1,104.00

Elkay Model	List Price
⊗ LFDE10L2YJO	\$1,101.00
⊗ LFDE10S2YJO	\$1,301.00
⊗ LFDE10T2YJO	\$1,101.00
⊗ LMABF8L	\$851.00
⊗ LMABF8S	\$904.00
⊗ LMABFVR8L	\$898.00
⊗ LMABFVR8S	\$951.00
⊗ LMABFTL8LC	\$1,433.00
⊗ LMABFTL8SC	\$1,538.00
⊗ LMABFTLVR8LC	\$1,527.00
⊗ LMABFTLVR8SC	\$1,632.00
⊗ LMABFDL	\$677.00
⊗ LMABFDS	\$730.00
⊗ LMABFTLDDLC	\$1,259.00
⊗ LMABFTLDDSC	\$1,364.00
▲ LVRRCGRN8F	\$1,270.00
▲ LVRRCGRNTL8FC	\$1,868.00
⊗ LVRRC8S	\$1,025.00
⊗ LVRRC8S8	\$1,072.00
⊗ LVRRC8S2JO	\$1,072.00
⊗ LVRRC8S3JO	\$1,109.00
⊗ LVRRC8S2JJO	\$1,119.00
⊗ LVRRC8S3JJO	\$1,156.00
⊗ LVRCTL8SC	\$1,624.00
⊗ LVRCTLSC8SC	\$1,671.00
⊗ LVRCTL8S2JOC	\$1,671.00
⊗ LVRCTL8S3JOC	\$1,708.00
⊗ LVRCTLSC8S2JOC	\$1,718.00
⊗ LVRCTLSC8S3JOC	\$1,755.00
⊗ LVRCD5	\$851.00
⊗ LVRSCDS	\$898.00
⊗ LVRCTLDDSC	\$1,450.00
⊗ LVRCTLSCDDSC	\$1,497.00
⊗ LWAE8L1Z	\$1,066.00
⊗ LWAE8S1Z	\$1,266.00
⊗ LWAE8LF1Z	\$1,116.00
⊗ LWAE8SF1Z	\$1,316.00
⊗ LWAE8L2YJO	\$1,113.00
⊗ LWAE8S2YJO	\$1,313.00
⊗ LWAE14L1Z	\$1,217.00
⊗ LWAE14LF3YJO	\$1,351.00
⊗ LWCE4L1Z	\$1,004.00
⊗ LWCE4S1Z	\$1,204.00
⊗ LWCE4LF1Z	\$1,054.00
⊗ LWCE4L2YJO	\$1,051.00
⊗ LWCE4S2YJO	\$1,251.00
⊗ LWCE8L1Z	\$1,054.00
⊗ LWCE8S1Z	\$1,254.00
⊗ LWCE8LF1Z	\$1,104.00
⊗ LWCE8LK1Z	\$1,066.00
⊗ LWCE8SF1Z	\$1,304.00
⊗ LWCE14LF3YJO	\$1,337.00
⊗ LWTLA14S3K	\$2,157.00
⊗ LZ08L	\$950.00
⊗ LZ08S	\$1,003.00
⊗ LZ08L2JO	\$997.00
⊗ LZ08L3JO	\$1,034.00
⊗ LZ08S2JO	\$1,050.00
⊗ LZ08S3JO	\$1,087.00
⊗ LZOSTL8LC	\$1,532.00
⊗ LZOSTL8SC	\$1,637.00
⊗ LZOSTL8L2JOC	\$1,579.00
⊗ LZOSTL8L3JOC	\$1,616.00
⊗ LZOSTL8S2JOC	\$1,684.00
⊗ LZOSTL8S3JOC	\$1,721.00
⊗ LZODL	\$776.00
⊗ LZODS	\$829.00
LZS8L	\$851.00
LZS8S	\$904.00
⊗ LZS8LF	\$901.00
⊗ LZS8SF	\$954.00
⊗ LZSVR8L	\$898.00
⊗ LZSVR8S	\$951.00
⊗ LZS8L2JO	\$898.00

Elkay Model	List Price
⊗ LZS8L3JO	\$935.00
⊗ LZS8S2JO	\$951.00
⊗ LZS8S3JO	\$988.00
LZSTL8LC	\$1,433.00
⊗ LZSTL8SC	\$1,538.00
⊗ LZSTL8LFC	\$1,483.00
⊗ LZSTL8SFC	\$1,588.00
⊗ LZSTLVR8LC	\$1,527.00
⊗ LZSTLVR8SC	\$1,632.00
⊗ LZSTL8L8C	\$1,433.00
⊗ LZSTL88SC	\$1,538.00
⊗ LZSTL88LFC	\$1,483.00
⊗ LZSTL8L2JOC	\$1,480.00
⊗ LZSTL8S2JOC	\$1,585.00
⊗ LZSDS	\$730.00
⊗ LZSTLDDLC	\$1,259.00
⊗ LZSTLDDSC	\$1,364.00
⊗ OHFAVR8S1Z	\$1,617.00
VRCGRN8	\$998.00
VRCGRNTL8C	\$1,596.00
VRCHD8S	\$2,655.00
VRCHDTL8SC	\$4,455.00
⊗ VRCHDDS	\$2,060.00
VRC8S	\$954.00
⊗ VRC8S8S	\$1,001.00
⊗ VRCFR8S	\$1,409.00
⊗ VRCSCFR8S	\$1,456.00
⊗ VRC8S2JO	\$1,001.00
⊗ VRC8S3JO	\$1,038.00
⊗ VRC8S2JJO	\$1,048.00
⊗ VRC8S3JJO	\$1,085.00
VRCTL8SC	\$1,553.00
⊗ VRCTLSC8SC	\$1,600.00
⊗ VRCTLFR8SC	\$2,463.00
⊗ VRCTLSCFR8SC	\$2,510.00
⊗ VRCTL8S2JOC	\$1,600.00
⊗ VRCTL8S3JOC	\$1,637.00
⊗ VRCTLSC8S2JOC	\$1,647.00
⊗ VRCTLSC8S3JOC	\$1,684.00
⊗ VRCTLR8SC	\$1,553.00
⊗ VRCTLRSC8SC	\$1,600.00
⊗ VRCTLRFR8SC	\$2,463.00
⊗ VRCTLRSCFR8SC	\$2,510.00
⊗ VRCTLR8S2JOC	\$1,600.00
⊗ VRCTLR8S3JOC	\$1,637.00
⊗ VRCTLRSC8S2JOC	\$1,647.00
⊗ VRCTLRSC8S3JOC	\$1,684.00
⊗ VRCDS	\$780.00
⊗ VRCSCDS	\$827.00
⊗ VRCTLDDSC	\$1,379.00
⊗ VRCTLSCDDSC	\$1,426.00
⊗ VRCTLRDDSC	\$1,379.00
⊗ VRCTLFRDDSC	\$2,289.00
⊗ VRCTLRSCDDSC	\$1,426.00

REFRIGERATED FOUNTAIN KITS

Legend

- 2 = 220V/50Hertz
- 3 = 220V/60Hertz
- CD = Cup Dispenser
- F = Glass Filler - Prep Only, unless noted with ▲
- FP(RA)K = Freeze Protection
- M = Mounting Box or Plate included
- RA = Two-Level Reversed
- V or VR = Vandal Resistant Bubbler

Elkay Model	List Price
⊗ ECRSP8K	\$2,465.00
⊗ ECRSPM8K	\$2,663.00
⊗ ECRSPVR8K	\$2,512.00
⊗ ECRSPVRM8K	\$2,710.00
EFRC8K	\$2,463.00
EFRCM8K	\$2,737.00

▲ = Glass Filler included ⊗ = Non-stock item

REMOTE CHILLERS

Legend

- 2 = 220V/50Hertz
- 3 = 220V/60Hertz

Elkay Model	List Price
ECH8	\$933.00
⊕ ECH82	\$980.00
⊕ ECH83	\$1,017.00
ER101Y	\$1,369.00
⊕ ER102Y	\$1,416.00
⊕ ER103Y	\$1,453.00
ER191	\$2,115.00
⊕ ER192	\$2,162.00
⊕ ER193	\$2,199.00
ER21Y	\$721.00
⊕ ER22Y	\$769.00
ER301	\$2,489.00
⊕ ER302	\$2,536.00
⊕ ER303	\$2,573.00
⊕ ER51Y	\$1,244.00
⊕ ER52Y	\$1,291.00
⊕ ER53Y	\$1,328.00
ERS11Y	\$783.00
⊕ ERS12Y	\$830.00
⊕ ERW201	\$2,489.00
⊕ ERW202	\$2,536.00
⊕ ERW321	\$2,612.00

ACCESSORIES

Elkay Model	Description	List Price
⊕ 28410C	STAINLESS STEEL BACK PANEL - EZSTLR	\$443.00
⊕ 28554C	STAINLESS STEEL BACK PANEL - EZSTL	\$443.00
45392C	VANDAL RESISTANT BUBBLER	\$47.00
56073C	FLEXI-GUARD™ BUBBLER	\$18.00
97258C	CANE TOUCH APRON-SOFT SIDES™	\$172.00
97446C	VR BUBBLER REPLCMNT KIT	\$84.00
98262C	FILTER MONITOR (AUDIO)	\$269.00
⊕ 98313C	CANE APRON-EMABF (L)	\$164.00
⊕ 98324C	CANE APRON-EMABF/VRC (SS)	\$198.00
98481C	VR STREAMSAVER™	\$105.00
98501C	FLEXI-GUARD™ STREAMSAVER™	\$26.00
AP99	ACCESS PANEL KIT	\$87.00
EG1	LOUVERED GRILLE	\$473.00
⊕ EG2	LOUVERED GRILLE	\$268.00
⊕ EG3	LOUVERED GRILLE	\$355.00
EWV172	WATER FILTER KIT (WATERSENTRY®)	\$96.00
LF2	WATER FILTER KIT (IN-LINE)	\$84.00
LK109A	GLASS FILLER (RECESSED UNITS)	\$208.00
LK1110	GLASS FILLER-GOOSENECK	\$201.00
LK1114	GLASS FILLER-GOOSENECK	\$252.00
LK142	BUBBLER ASSY	\$120.00
LKAPR1	CANE APRON-SWIRLFLO	\$224.00
LKAPR2	CANE APRON-EHW14/17C	\$336.00
LKAPREZL	CANE APRON-EZ	\$165.00
MB23A	MOUNTING BOX	\$274.00
⊕ MB23AL	MOUNTING BOX W/FILTER HEAD	\$336.00
⊕ MB232A	MOUNTING BOX 220V	\$274.00
⊕ MB232AL	MOUNTING BOX 220V W/FILTER HEAD	\$336.00
⊕ MB24	MOUNTING BOX	\$144.00
⊕ MB30	MOUNTING BOX	\$349.00
MF100	MOUNTING FRAME-SGL	\$198.00
MF200	MOUNTING FRAME-DBL	\$248.00
⊕ MFC100	MOUNTING FRAME-CHILD ADA	\$198.00
ML100	IN-WALL SUPPORT LEGS	\$336.00
MLP100	IN-WALL MTG FRAME-SGL	\$473.00
MLP200	IN-WALL MTG FRAME-DBL	\$777.00
MP20	WALL PLATE ASSY - RH ADA	\$249.00
MP20RA	WALL PLATE ASSY - LH ADA	\$249.00
MPW101	IN-WALL MTG PLATE-SGL	\$130.00
MPW200	IN-WALL MTG PLATE-DBL	\$229.00
⊕ MPW201	IN-WALL MTG PLATE-7120	\$273.00
PM3	POST MOUNT SHELF	\$268.00
⊕ PM4	POST MOUNT SHELF	\$268.00
RP2130	REMODELING PANEL	\$172.00
WP2	WALL PLATE	\$131.00

⊕ = Non-stock item

Elkay

2222 Camden Court
 Oak Brook, Illinois 60523 U.S.A.
 Phone: (630) 574-8484 Fax: (630) 574-5012
 Customer Service: (630) 572-3192
 elkayusa.com